

NIDEC MOTOR CORPORATION

8050 WEST FLORISSANT AVE.
ST. LOUIS, MO 63136



DATE: 7/6/2015

P.O. NO.: DR39
Order/Line NO.: 21938 MN 100

TO:

Model Number: DR39
Catalog Number:
Unimount Pre. Eff. Config.
CONF,MOTOR,UNIMOUNT PRE EFF

REVISIONS:
(NONE)

**ALL DOCUMENTS HEREIN ARE CONSIDERED CERTIFIED BY NIDEC MOTOR CORPORATION.
THANK YOU FOR YOUR ORDER AND THE OPPORTUNITY TO SERVE YOU.**

Features:

Horsepower 00005.00 ~ KW: 3.73
Enclosure TEFC
Poles 02 ~ RPM: 3600
Frame Size 184~TC
Phase/Frequency/Voltage.. 3~060~230/460 ~ Random Wound
Service Factor 1.25
Insulation Class Class "F" ~ Insulife 1000
Altitude In Feet (Max) .. 3300 Ft.(1000 M)
Ambient In Degree C (Max) +40 C
Assembly Position F1, Ftls, Flng Mnt, Shaft Horz
Efficiency Class Premium Efficiency
Application Unknown
Customer Part Number
"AK" Dimension (Inches).. 8.500
Temperature Rise (Sine Wave): "B" Rise @ 1.0 SF (Resist)
Starting Method Direct-On-Line Start
Duty Cycle Continuous Duty
Efficiency Value 87.5 % ~ Typical
Load Inertia (lb-ft²): NEMA ~ NEMA Inertia: 5.70 ~ 1.00
Number Of Starts Per Hour: NEMA
Motor Type Code UTEF
Rotor Inertia (LB-FT²) .174 LB-FT²
Qty. of Bearings PE (Shaft) 1
Qty. of Bearings SE (OPP) 1
Bearing Number PE (Shaft) 6206-2Z-J/C3
Bearing Number SE (OPP) 6205-2Z-J/C3

Nidec trademarks followed by the ® symbol are registered with the U.S. Patent and Trademark Office.

NIDEC MOTOR CORPORATION

8050 WEST FLORISSANT AVE.
ST. LOUIS, MO 63136



DATE: 7/6/2015

P.O. NO.: DR39
Order/Line NO.: 21938 MN 100

TO:

Model Number: DR39
Catalog Number:
Unimount Pre. Eff. Config.
CONF,MOTOR,UNIMOUNT PRE EFF

REVISIONS:
(NONE)

**ALL DOCUMENTS HEREIN ARE CONSIDERED CERTIFIED BY NIDEC MOTOR CORPORATION.
THANK YOU FOR YOUR ORDER AND THE OPPORTUNITY TO SERVE YOU.**

Accessories:

Shaft Slinger - Pulley End
Footless (Round Frame)

Product Family
Standard Leadtime: 9-10 WEEKS
Est. Weight (lbs ea): 70 ~ F.O.B.: Monterrey, Mexico

USE THE DATA PROVIDED BELOW TO SELECT THE APPROPRIATE DIMENSION PRINT

Horsepower	5
Pole(s)	02
Voltage(s)	460-230
Frame Size	184TC
Shaft U Diameter	1.125
Outlet Box AF	2.13
Outlet Box AA	0.75

Nidec trademarks followed by the ® symbol are registered with the U.S. Patent and Trademark Office.

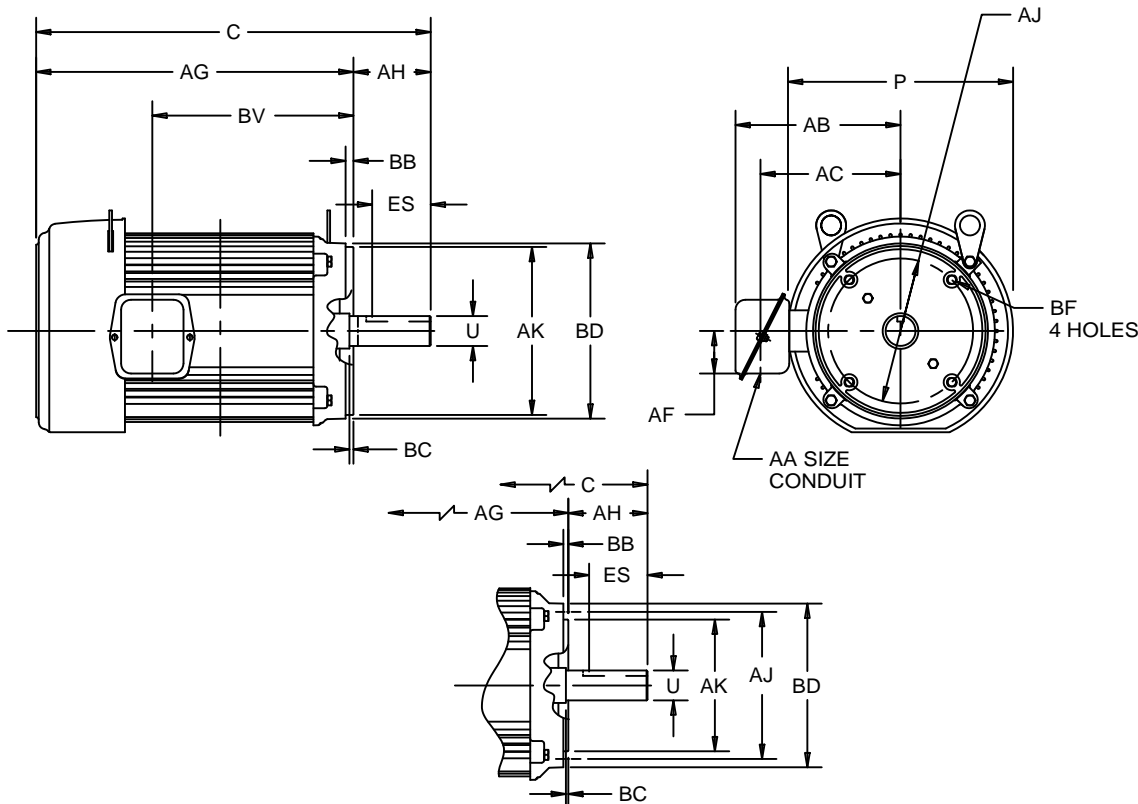
EFFECTIVE:
15-MAY-15

SUPERSEDES:
13-APR-11

DIMENSION PRINT
TEFC - FOOTLESS WITH "C" FACE
FRAME: 182 THRU 215TC
BASIC TYPE: UT

PRINT:
07-2030

SHEET:
1 OF 1



FOR FRAMES
182TCH AND 184TCH

ALL DIMENSIONS ARE IN INCHES AND MILLIMETERS

FRAME	UNITS	P ²	T	U -.0005	AA	AB	AC	AF	AH	BC	ES MIN	SQ KEY
180	IN	9.56	.38	1.1250	.75	7.56	6.38	2.13	2.63	.13	1.78	.250
	MM	243	10	28.575		192	162	54	67	3	45	6.35
210	IN	11.25	.38	1.3750	1.00	8.41	7.16	2.13	3.13	.25	2.41	.313
	MM	286	10	34.925		214	182	54	80	6	61	7.95

FRAME	UNITS	C	AG	AJ	AK -.003	BB MIN	BD MAX	BF ³	BV
182TC	IN	16.19	13.50	7.250	8.500	.25	9.00	1/2-13 X .75	8.41
	MM	411	343	184.15	215.90	6	229		214
182TCH	IN	16.19	13.50	5.875	4.500	.16	6.50	3/8-16 X .56	8.41
	MM	411	343	149.23	114.30	4	165		214
184TC	IN	16.94	14.25	7.250	8.500	.25	9.00	1/2-13 X .75	9.16
	MM	430	362	184.15	215.90	6	229		233
184TCH	IN	16.94	14.25	5.875	4.500	.16	6.50	3/8-16 X .56	9.19
	MM	430	362	149.23	114.30	4	165		233
213TC	IN	18.63	15.50	7.250	8.500	.25	9.00	1/2-13 X .75	9.88
	MM	473	394	184.15	215.90	6	229		251
215TC	IN	20.13	17.00	7.250	8.500	.25	9.00	1/2-13 X .75	11.38
	MM	511	432	184.15	215.90	6	229		289

- 1: ALL ROUGH DIMENSIONS MAY VARY BY .25" DUE TO CASTING AND/OR FABRICATION VARIATIONS.
- 2: LARGEST MOTOR WIDTH.
- 3: CONDUIT BOX MAY BE LOCATED ON EITHER SIDE. CONDUIT OPENINGS MAY BE LOCATED IN STEPS OF 90 DEGREES REGARDLESS OF LOCATION. STANDARD AS SHOWN WITH CONDUIT OPENING DOWN.
- 4: TAP SIZE AND BOLT PENETRATION ALLOWANCE.
- 5: ALL TAPPED HOLES ARE UNIFIED NATIONAL COARSE, RIGHT HAND THREAD.
- 6: TOLERANCES SHOWN ARE IN INCHES ONLY.
- 7: FRAME REFERENCE: 8.250/182//9.000/184
9.500/213//11.000/215

TOLERANCES	
FACE RUNOUT	.004 T.I.R.
PERMISSIBLE ECCENTRICITY OF MOUNTING RABBET	.004 T.I.R.
PERMISSIBLE SHAFT RUNOUT	.002 T.I.R.

07-2030/D

Nidec Motor Corporation
St. Louis, Missouri

INFORMATION DISCLOSED ON THIS DOCUMENT IS CONSIDERED PROPRIETARY AND SHALL NOT BE REPRODUCED OR DISCLOSED WITHOUT WRITTEN CONSENT OF NIDEC MOTOR CORPORATION



ISSUED BY
R. KING
APPROVED BY
J. O'BRIEN

IHP_DP_NMCA (MAR-2011) SOLIDEDGE

NAMEPLATE DATA

CATALOG NUMBER: _____				NAMEPLATE PART #: 417128-001			
MODEL	DR39	FR	184TC	TYPE	UTEF	ENCL	TEFC
SHAFT END BRG: 6206-2Z-J/C3 - QTY 1				OPP END BRG: 6205-2Z-J/C3 - QTY 1			
PH	3	MAX AMB	40 C	ID#	_____		
INSUL CLASS	F	Asm. Pos.	_____		DUTY	CONT	
HP	5	RPM	3520	HP	_____	RPM	_____
VOLTS	460	230	_____	VOLTS	_____	_____	_____
FL AMPS	6.1	12.2	_____	FL AMPS	_____	_____	_____
SF AMPS	7.6	15.1	_____	SF AMPS	_____	_____	_____
SF	1.25	DESIGN	B	CODE	J	DESIGN	_____
NEMA NOM EFFICIENCY	88.5	NOM PF	87.1	KiloWatt	3.730	NOM PF	_____
GUARANTEED EFFICIENCY	86.5	MAX KVAR	1.4	HZ	60	MAX KVAR	_____

HAZARDOUS LOCATION DATA (IF APPLICABLE):

DIVISION	_____	CLASS I	_____	GROUP I	_____
TEMP CODE	_____	CLASS II	_____	GROUP II	_____

VFD DATA (IF APPLICABLE):

VOLTS	_____	TORQUE 1	_____	TORQUE 2	_____
AMPS	_____	VFD LOAD TYPE 1	_____	VFD LOAD TYPE 2	_____
		VFD HERTZ RANGE 1	_____	VFD HERTZ RANGE 2	_____
		VFD SPEED RANGE 1	_____	VFD SPEED RANGE 2	_____
SERVICE FACTOR	_____	FL SLIP	_____		
NO. POLES	2	MAGNETIZING AMPS	2.1		
VECTOR MAX RPM	_____	Encoder PPR	_____		
Radians / Seconds	1	Encoder Volts	_____		

TEAO DATA (IF APPLICABLE):

HP (AIR OVER)	_____	HP (AIR OVER M/S)	_____	RPM (AIR OVER)	_____	RPM (AIR OVER M/S)	_____
FPM AIR VELOCITY	_____	FPM AIR VELOCITY M/S	_____	FPM AIR VELOCITY SEC	_____		

ADDITIONAL NAMEPLATE DATA:

Decal / Plate	WD=417132	Customer PN	
Notes		Non Rev Ratchet	
Max Temp Rise	80C RISE/RES@1.00SF	OPP/Upper Oil Cap	GREASE
Thermal (WDG)		SHAFT/Lower Oil Cap	GREASE
Altitude			
Regulatory Notes		Regulatory Compliance	
COS		Marine Duty	
Balance		Arctic Duty	
3/4 Load Eff.	90.1	Inrush Limit	
Motor Weight (LBS)	70	Direction of Rotation	
Sound Level		Special Note 1	
Vertical Thrust (LBS)		Special Note 2	
Thrust Percentage		Special Note 3	
Bearing Life		Special Note 4	
Starting Method		Special Note 5	
Number of Starts		Special Note 6	
200/208V 60Hz Max Amps		SH Max. Temp.	
190V 50 hz Max Amps		SH Voltage	
380V 50 Hz Max Amps		SH Watts	
NEMA Inertia		Load Inertia	
Sumpheater Voltage		Sumpheater Wattage	
Special Accessory Note 1		Special Accessory Note 16	
Special Accessory Note 2		Special Accessory Note 17	
Special Accessory Note 3		Special Accessory Note 18	
Special Accessory Note 4		Special Accessory Note 19	
Special Accessory Note 5		Special Accessory Note 20	
Special Accessory Note 6		Special Accessory Note 21	
Special Accessory Note 7		Special Accessory Note 22	
Special Accessory Note 8		Special Accessory Note 23	
Special Accessory Note 9		Special Accessory Note 24	
Special Accessory Note 10		Special Accessory Note 25	
Special Accessory Note 11		Special Accessory Note 26	
Special Accessory Note 12		Special Accessory Note 27	
Special Accessory Note 13		Special Accessory Note 28	
Special Accessory Note 14		Special Accessory Note 29	
Special Accessory Note 15		Special Accessory Note 30	

**NIDEC MOTOR CORPORATION
ST. LOUIS, MO**



TYPICAL NAMEPLATE DATA
ACTUAL MOTOR NAMEPLATE LAYOUT MAY VARY
SOME FIELDS MAY BE OMITTED

Nidec trademarks followed by the ® symbol are registered with the U.S. Patent and Trademark Office.

MOTOR PERFORMANCE

MODEL NO.	CATALOG NO.	PHASE	TYPE	FRAME
DR39	NA	3	UTEF	184TC

ORDER NO.	21938	LINE NO.

MPI:	2069	2070
HP:	5	5
POLES:	2	2
VOLTS:	460	230
HZ:	60	60
SERVICE FACTOR:	1.25	1.25
EFFICIENCY (%):		
S.F.	87.5	87.5
FULL	88.5	88.5
3/4	90.1	90.1
1/2	89.3	89.3
1/4	84.2	84.2
POWER FACTOR (%):		
S.F.	88.4	88.4
FULL	87.1	87.1
3/4	83.7	83.7
1/2	75.7	75.7
1/4	56	56
NO LOAD	9.3	9.3
LOCKED ROTOR	56.4	56.4
AMPS:		
S.F.	7.6	15.1
FULL	6.1	12.2
3/4	4.7	9.3
1/2	3.5	6.9
1/4	2.5	5
NO LOAD	2.1	4.1
LOCKED ROTOR	46	92
NEMA CODE LETTER	J	J
NEMA DESIGN LETTER	B	B
FULL LOAD RPM	3520	3520
NEMA NOMINAL EFFICIENCY (%)	88.5	88.5
GUARANTEED EFFICIENCY (%)	86.5	86.5
MAX KVAR	1.4	1.4
AMBIENT (°C)	40	40
ALTITUDE (FASL)	3300	3300
SAFE STALL TIME-HOT (SEC)	10	10
SOUND PRESSURE (DBA @ 1M)	64	64
TORQUES:		
BREAKDOWN{% F.L.}	301	301
LOCKED ROTOR{% F.L.}	239	239
FULL LOAD{LB-FT}	7.5	7.5

NEMA Nominal and Guaranteed Efficiencies are up to 3,300 feet above sea level and 25 ° C ambient

The Above Data Is Typical. Sinewave Power Unless Noted Otherwise

NIDEC MOTOR CORPORATION
ST. LOUIS, MO

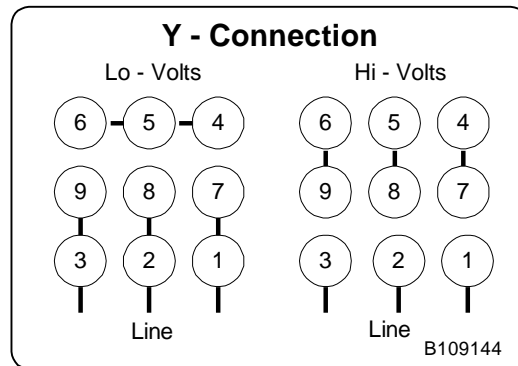
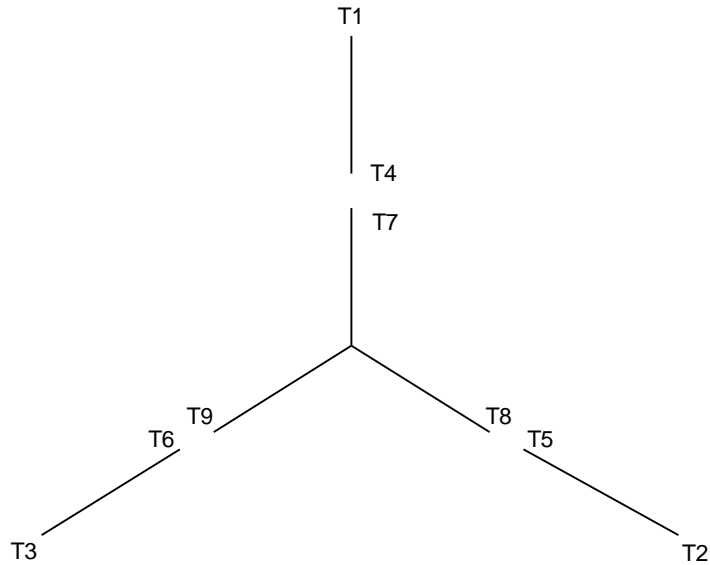


Nidec trademarks followed by the ® symbol are registered with the U.S. Patent and Trademark Office.



B109144

Motor Wiring Diagram 9 Lead, Dual Voltage (WYE Conn.)



To reverse direction of rotation interchange connections L1 and L2.

Each lead may have one or more cables comprising that lead.
In such case each cable will be marked with the appropriate lead number.